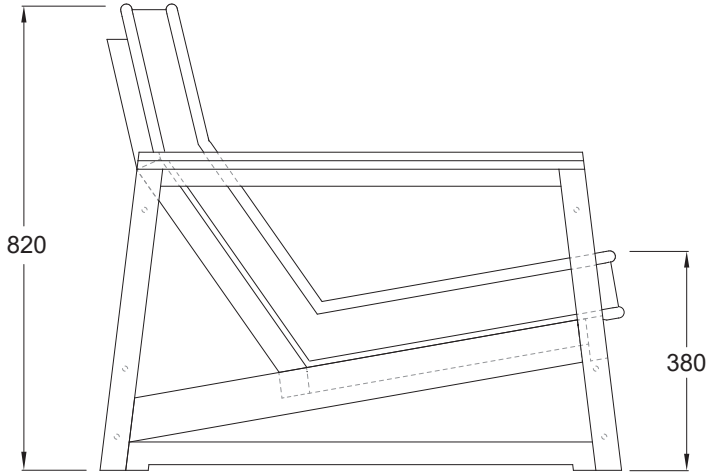
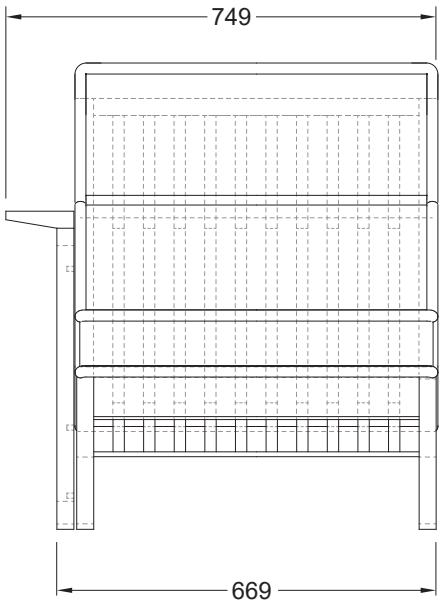
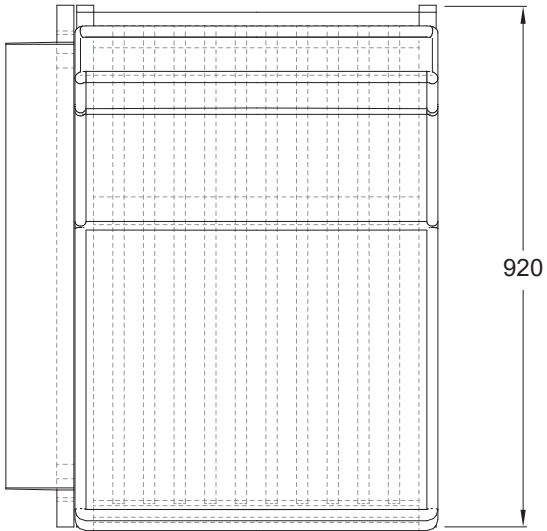


# TANGUOR RANGE

TG-LG.1S[UPH]\_ARM(L)



# TANGUOR RANGE

TG-LG.1S[UPH]\_ARM(R)

